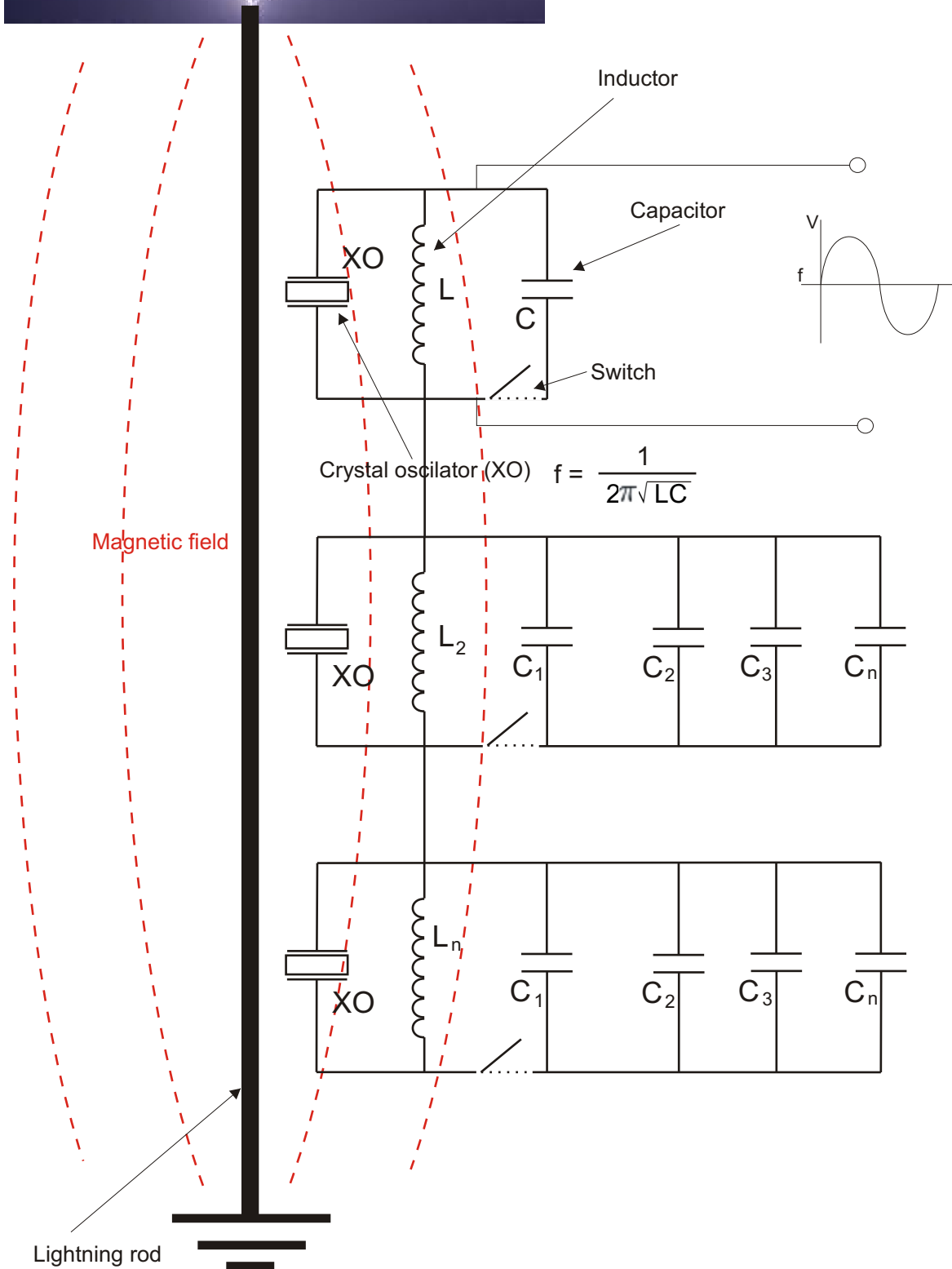




Other useful properties



By cutting the circuit after capacitors charge, we can physically replace charged with empty capacitors for charging with another lightning strike, and use charged ones as power supply for electrolysis, charging electricity vehicles, etc. This opens a new chapter in manufacturing large capacitors, inductors and crystal oscillators, since market had no demand for these types off the components by now. And who knows where exploration for ways to produce more efficient components in large scale will take us.