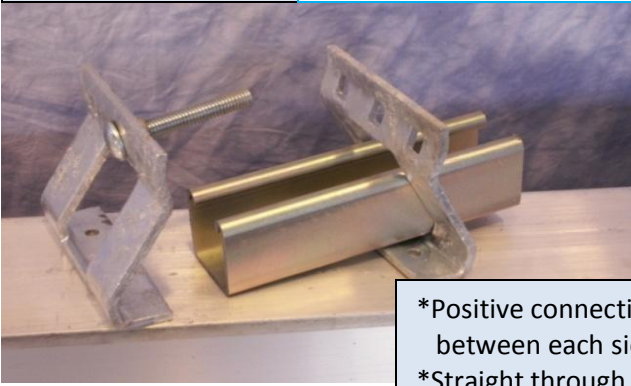


NuClamp Products

QuakeClamps

Hook and Leverage

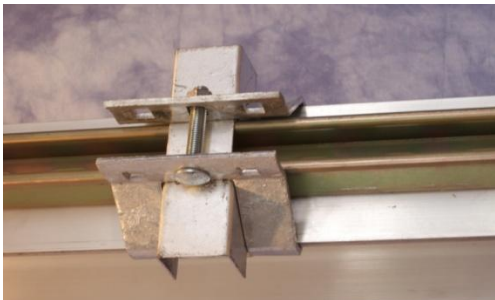
Patent # 8,480,041 B2



- *Positive connection between each side
- *Straight through Loading
- *Easy to Adjust
- *Easy to Install
- *Saves lots of time
- *Safer



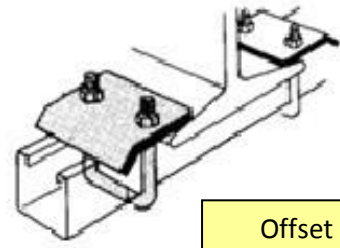
4 pieces



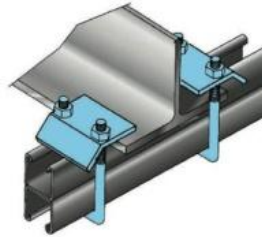
Special Cross Channel used to clamp struts in-line on center of beam

Competing Products

U-Bolt Style Clamps



Offset Loading
Counter-productive forces

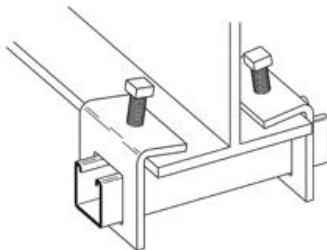


8 pieces



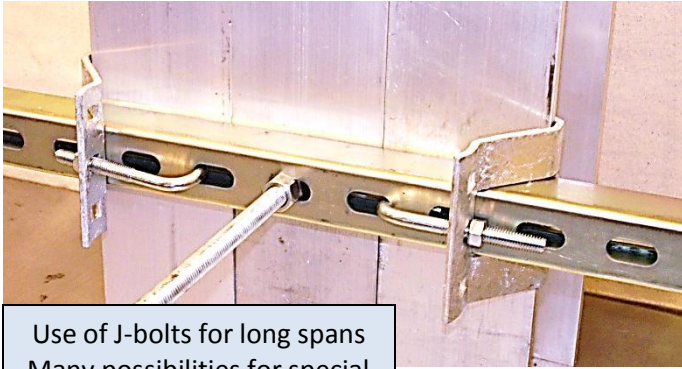
- *Takes 4 times as long to install
- *Falls if not entirely tight
- *Can't be adjusted when nuts are tight
- *Does not make a positive connection across beam

Window Clamps

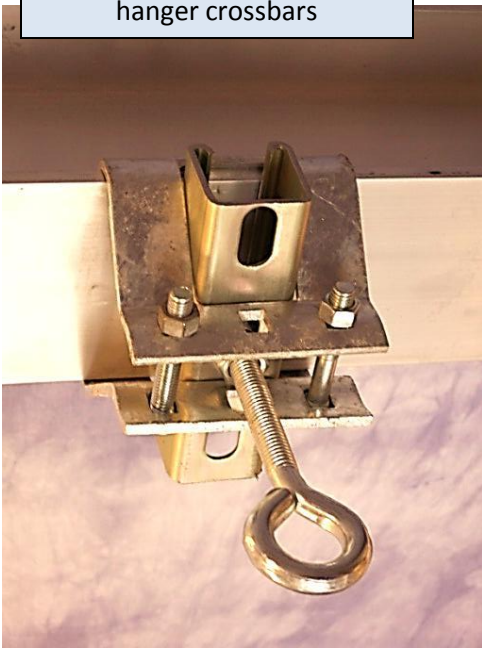


NuClamp Products

QuakeClamp Hanger Assemblies



Use of J-bolts for long spans
Many possibilities for special hanger crossbars



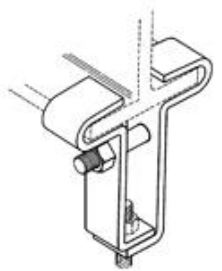
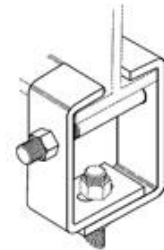
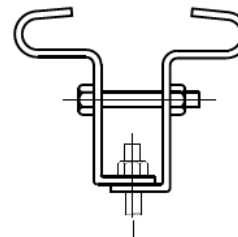
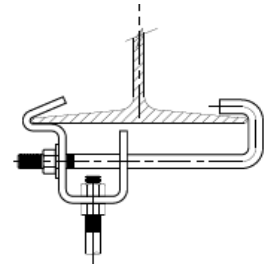
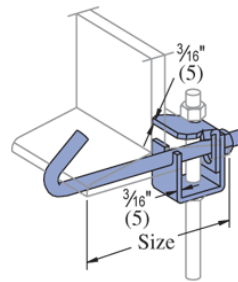
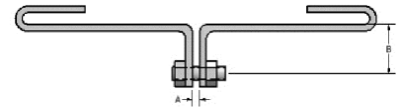
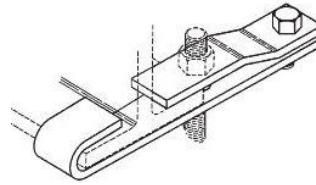
Using two bolts allow for hanger-rod to pass through the middle



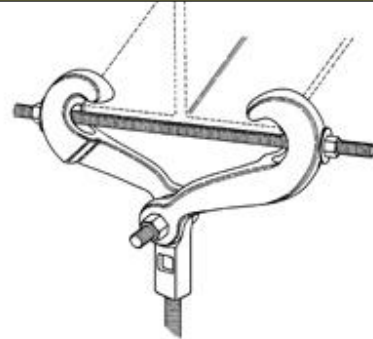
Creating a trapeze hanger assembly

Competing Hanger Products

These Hangers are very limited on the size of I-beams they fit.



These Hangers are expensive



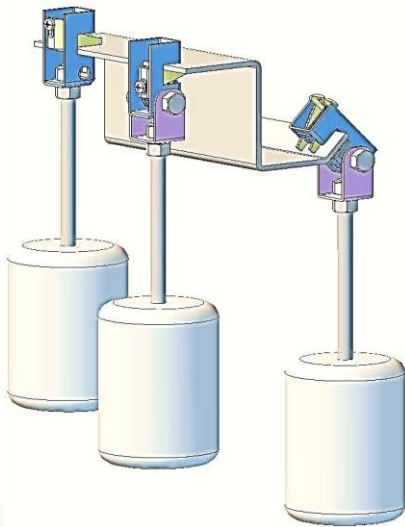
NuClamp Products

WedgeClamp Single point Hangers

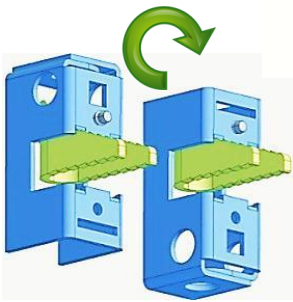
Patent US 8,770,885 B2

WedgeClamps use a small fastener to pull the wedge through the clamp body creating a strong stable attachment

Power Drivers enable quick attachment

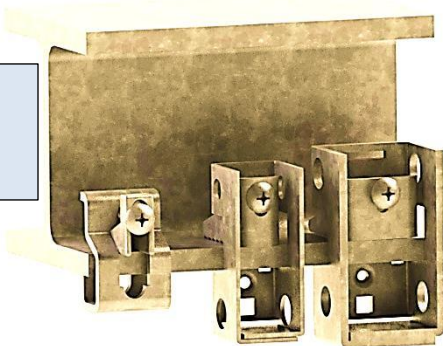


Multi-function and Reversible



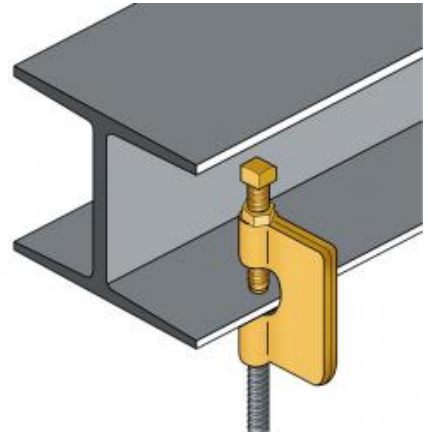
Tap the wedge into clamp body then use fastener to retain.

Three Sizes of WedgeHanger Clamps

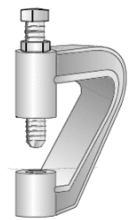


Competing Products

C-Clamp Style

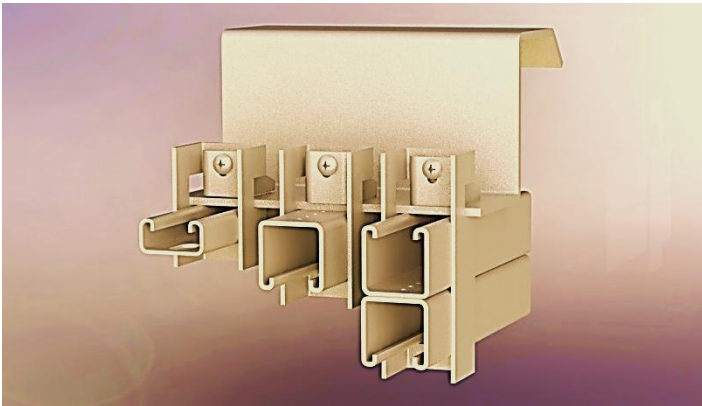


Loads for these clamps rest on the tip of a bolt. This allows for undesirable twisting leading to failure.



NuClamp Products

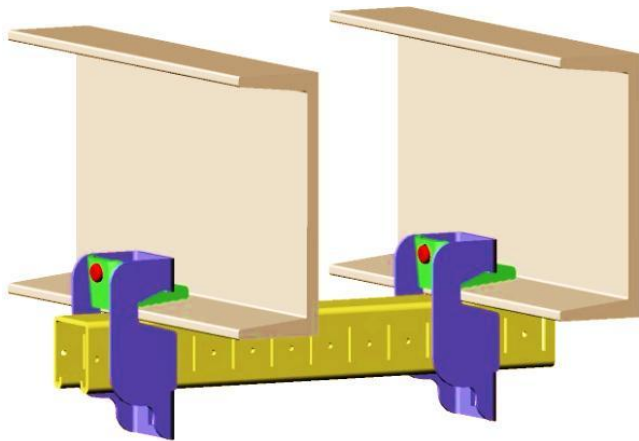
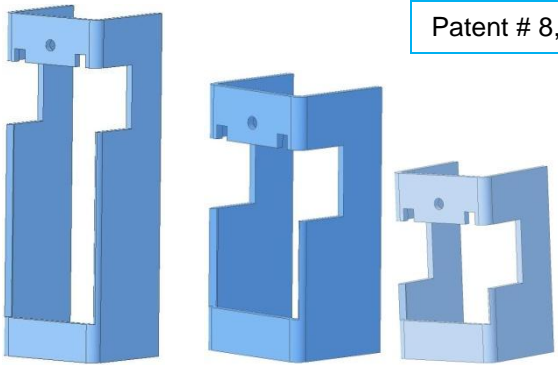
WedgeClamps for Struts



Standard Wedges can be used on a number of different clamp assemblies



Patent # 8,770,885 B2



ComboClamps works as either a Beam Clamp or a WedgeClamp

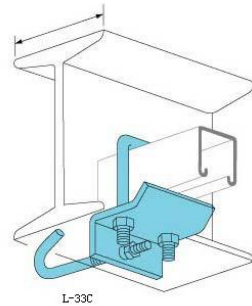
Competing Products



U-Bolt Clamps
Does not meet Seismic codes



Widow Clamps
Does not meet Seismic codes



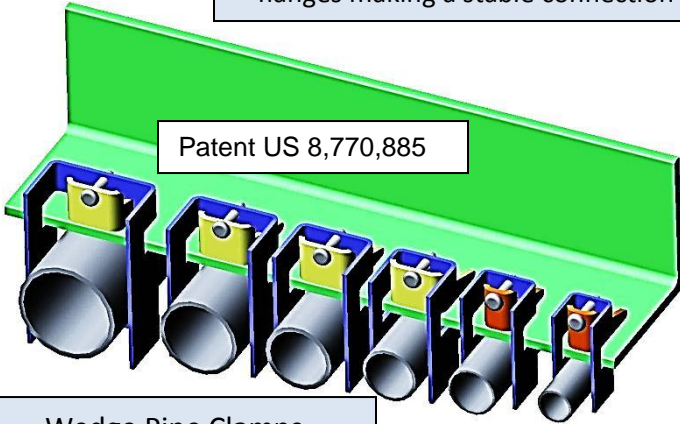
Meets Seismic Code
Only works when strut channel is sawn to fit above flange and between I-beams

NuClamp Products

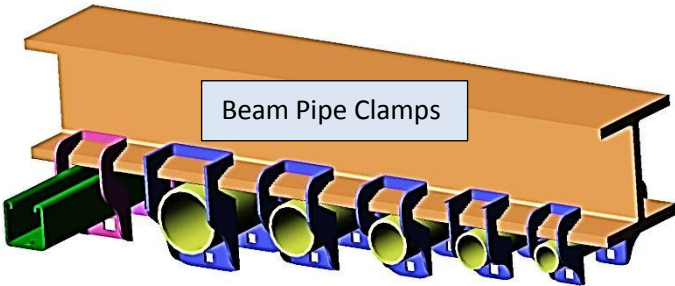
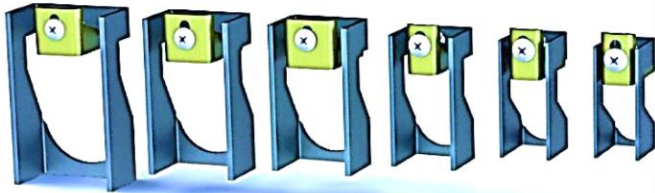
WedgeClamps for Pipes

Load passes straight through structure flanges making a stable connection

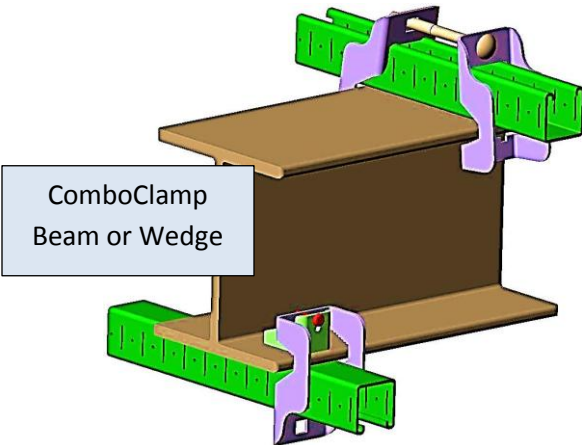
Patent US 8,770,885



Wedge Pipe Clamps



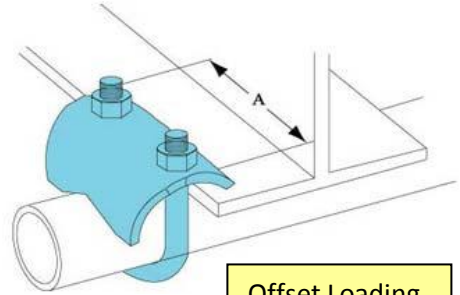
Beam Pipe Clamps



ComboClamp
Beam or Wedge

Competing Products

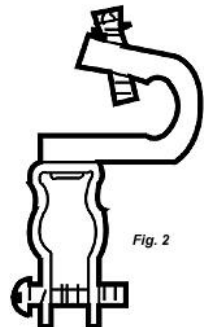
Pipe Clamps



Offset Loading



www.alibaba.com

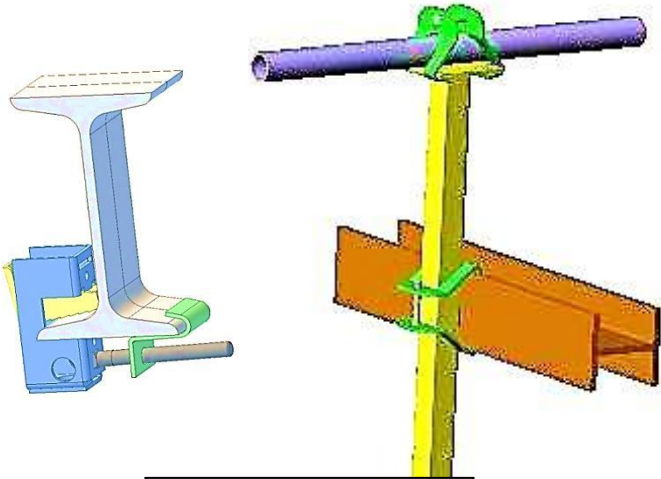


Eliminates offset bending conduit



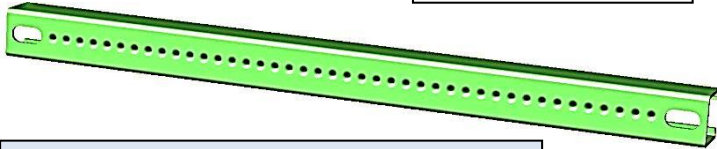
NuClamp Products

Other Products and Accessories

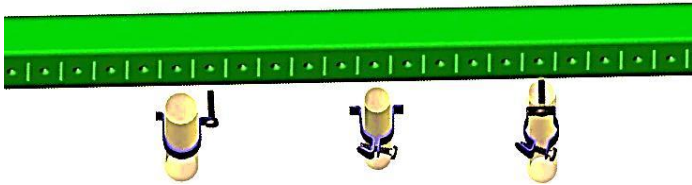


Endless opportunities for innovation

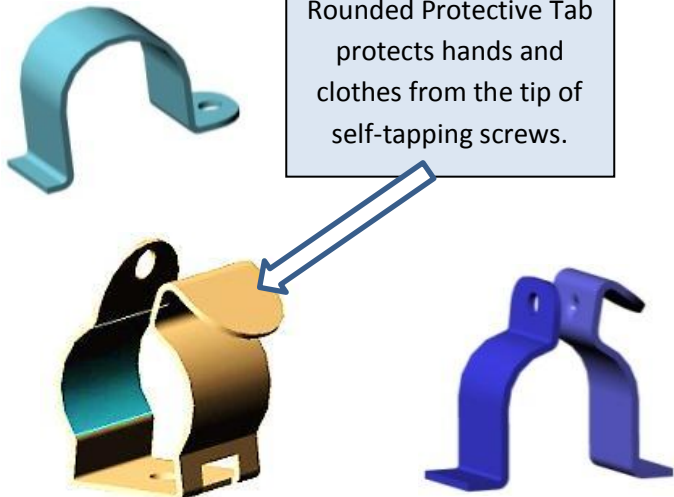
Patent
U.S.8,714,495 B2



Dimpled Holes to facilitate insertion of Self-tapping screws using power driver

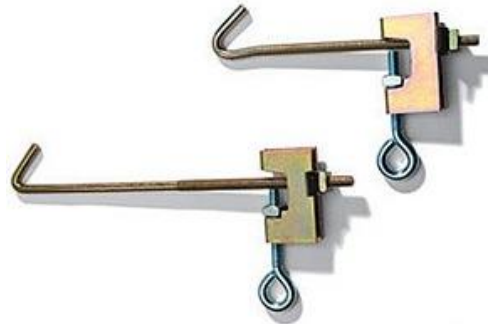
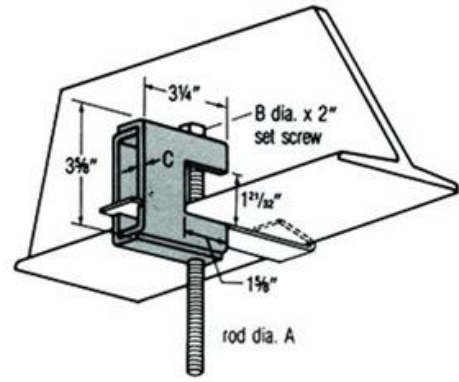


Rounded Protective Tab protects hands and clothes from the tip of self-tapping screws.

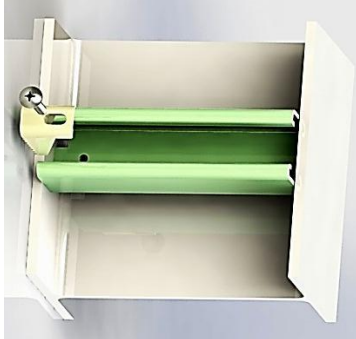


Competing Products

Miscellaneous

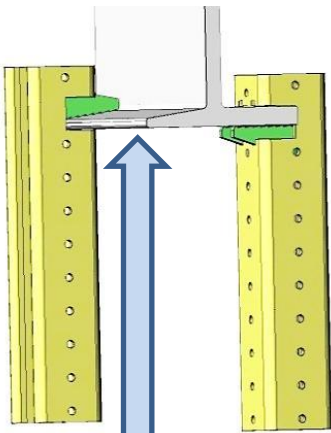


NuClamp Products

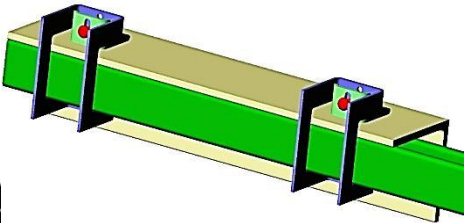
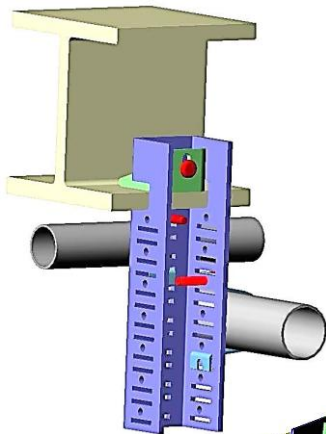


Wedge- Strut Insert for I-beam

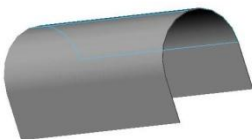
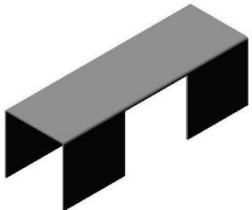
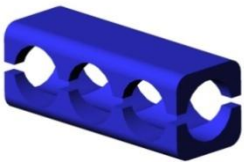
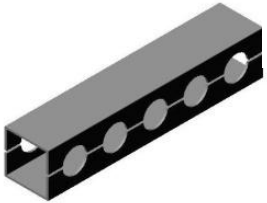
Strut Stand-Off



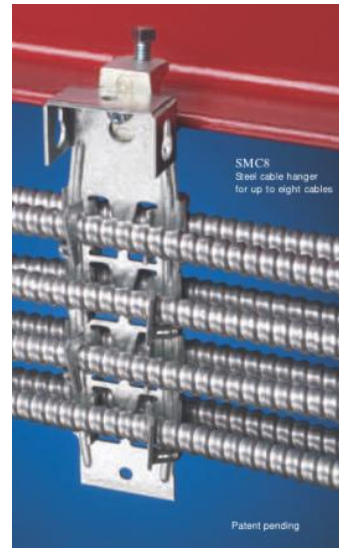
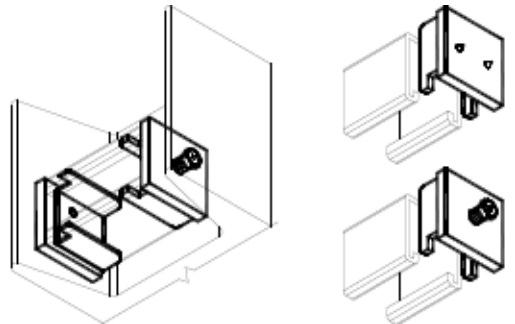
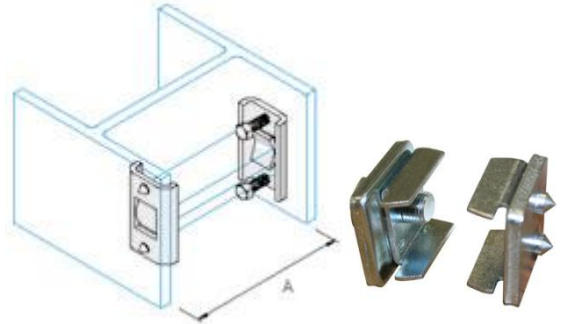
Tapered Flange



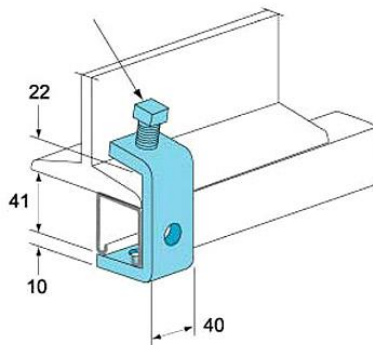
Sample of accessories



Competing Products

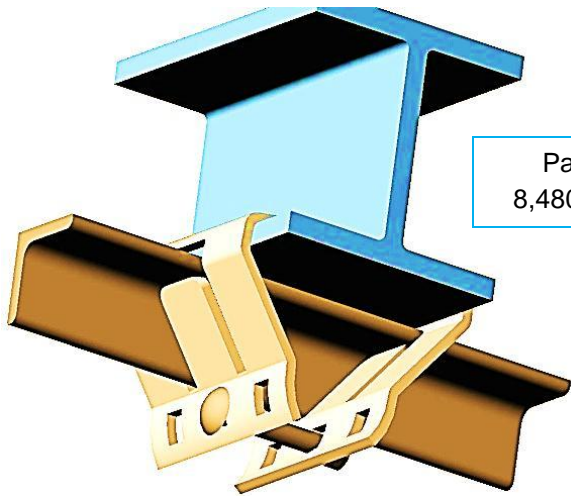


L-33F



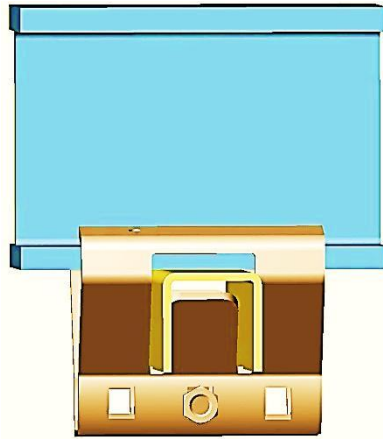
NuClamp Products

Angle Clamps

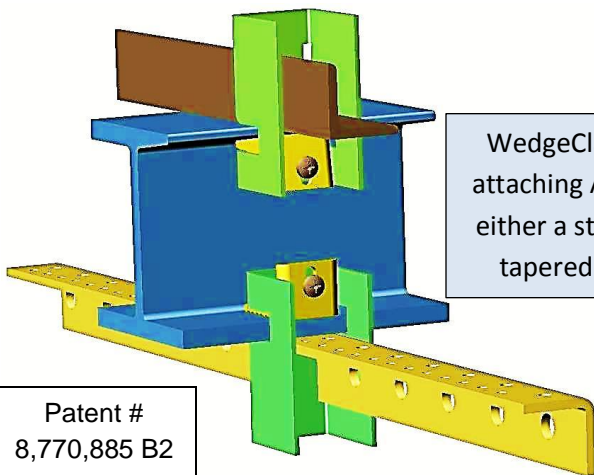


Patent #
8,480,041 B2

Beam Clamp for
attaching Angles
or formed
channels to
I-Beams



WedgeClamp for
attaching Angles to
either a straight or
tapered flange



Patent #
8,770,885 B2

Formed angles and channels can be
fabricated for specific applications
including food grade installations

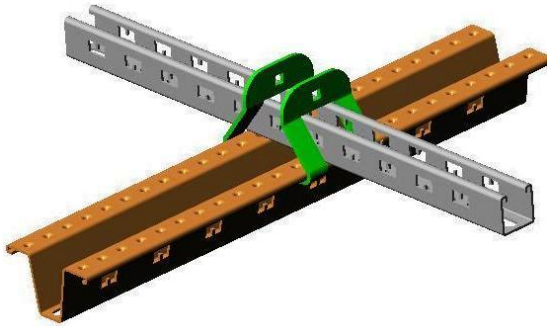
Competing Products

None

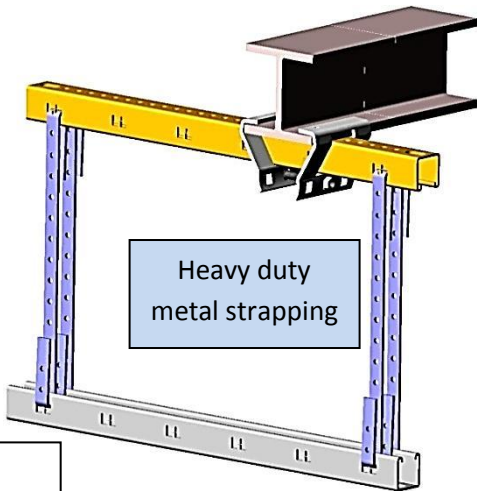
No known clamps on the
markets which are made
for attaching Angles to
structural members.

NuClamp Products

Specialty Strut Channels

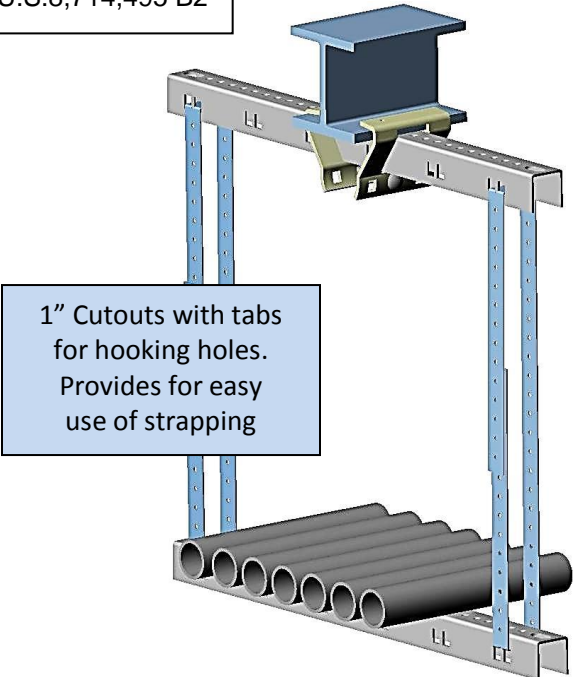


V-Strut interfaces with QuakeClamp and strut channels. V-Strut can be sized as strong structural member



Heavy duty metal strapping

Patent #
U.S.8,714,495 B2

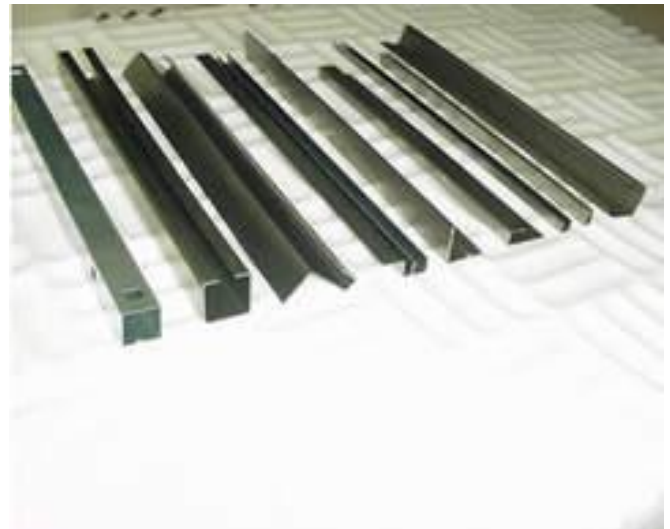


1" Cutouts with tabs for hooking holes. Provides for easy use of strapping

Competing Products



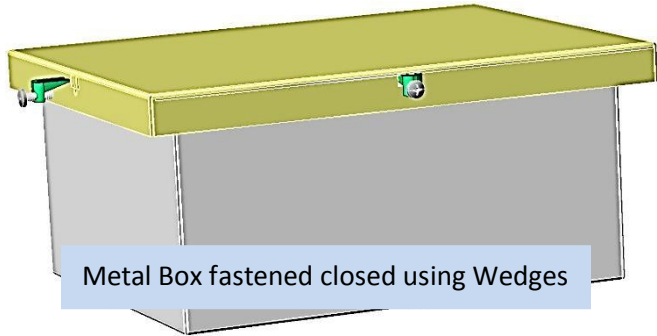
No Known struts that facilitate the use of strapping or self-tapping screws



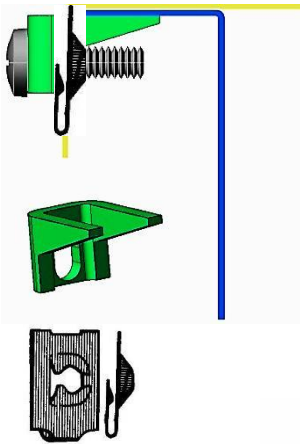
NuClamp Products

Specialty Wedge Clamping

Patent US 8,770,885 B2



Cross Section & wedge

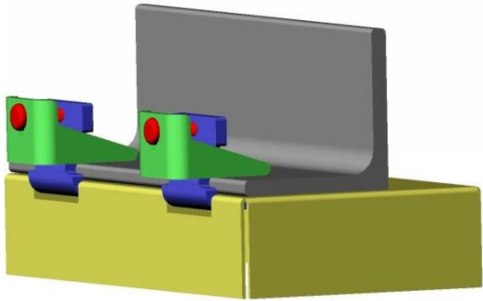


Fasteners installed and uninstalled from sides allowing better stacking of containers

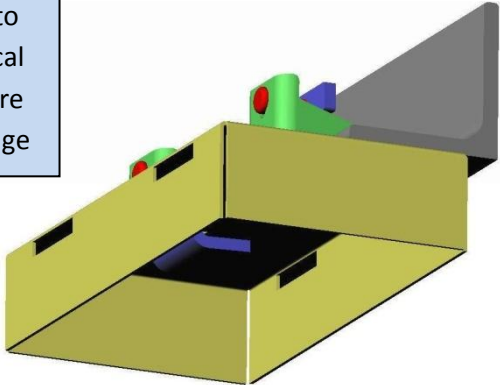
Same simple Wedge can be used in many configurations

Fast to install – Tap wedge in with a hammer then insert a screw

Typical use includes containers for DOD



Wedge used to attach electrical and light fixture boxes to a flange



Competing Products

- Bolts & Nuts
- Latches
- Hinges