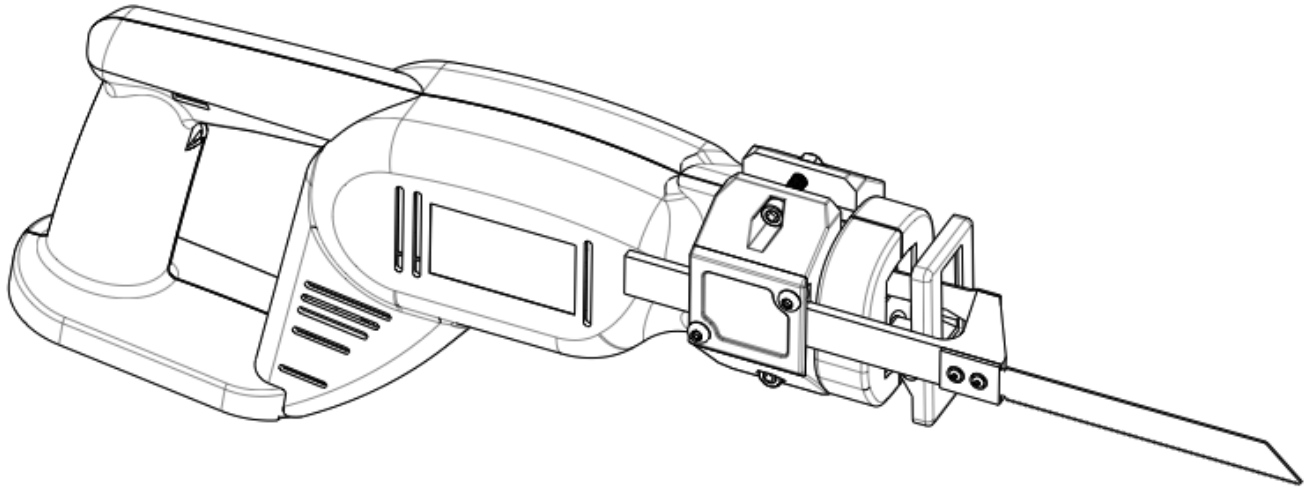
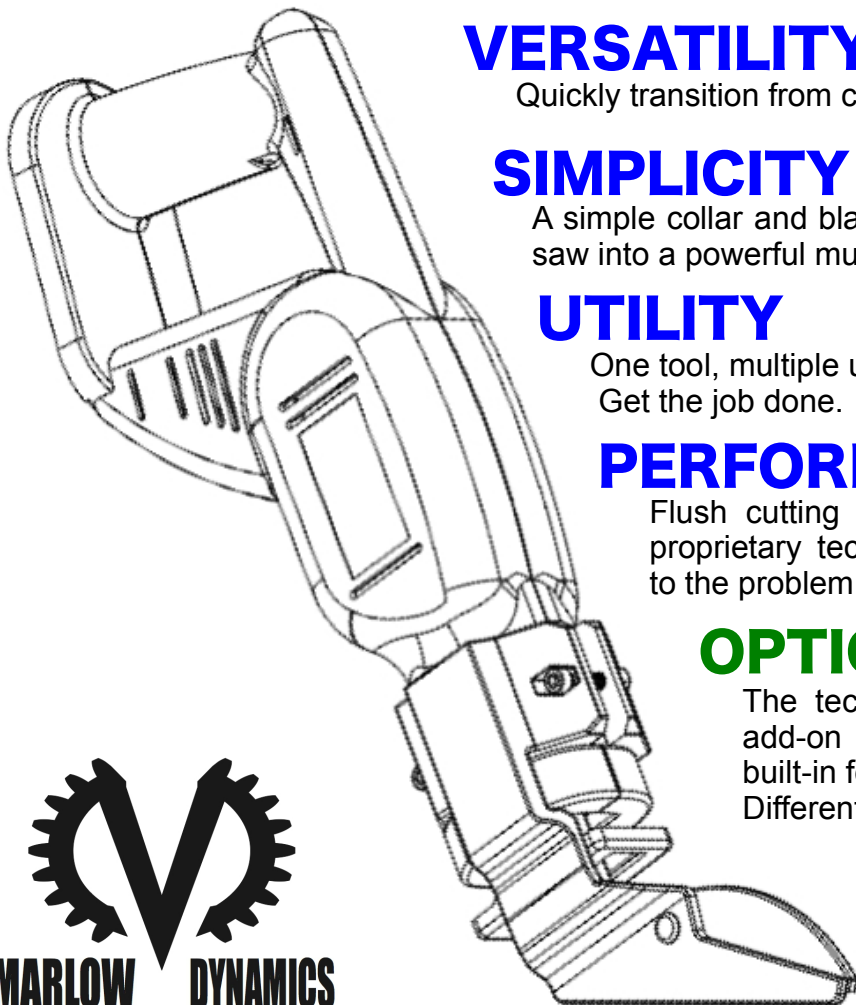


The Reciprocating Saw just got an Upgrade



With a simple attachment, a standard center-cut reciprocating saw becomes a flush-cut saw or a power shears



VERSATILITY

Quickly transition from center-cut to flush-cut to shears/snips.

SIMPLICITY

A simple collar and blade attachment transform a standard saw into a powerful multi-tool

UTILITY

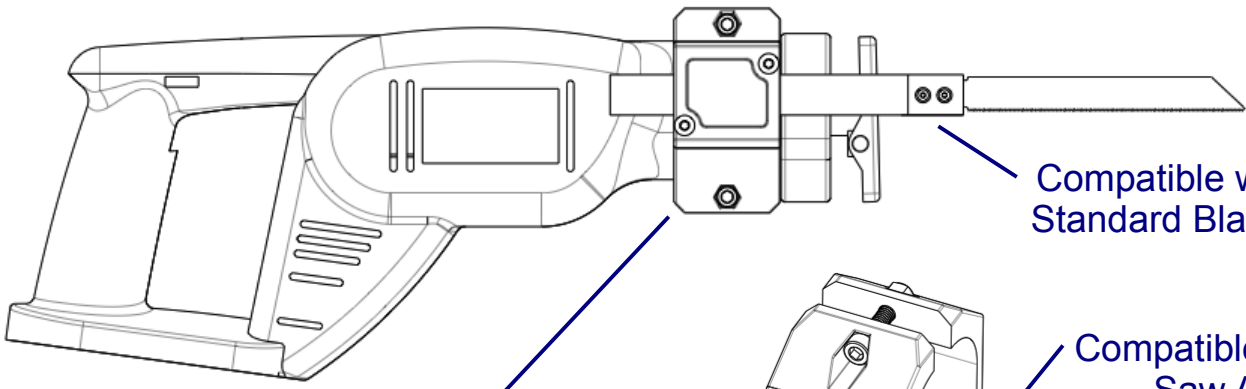
One tool, multiple uses. Save toolbox space. Save time. Get the job done.

PERFORMANCE

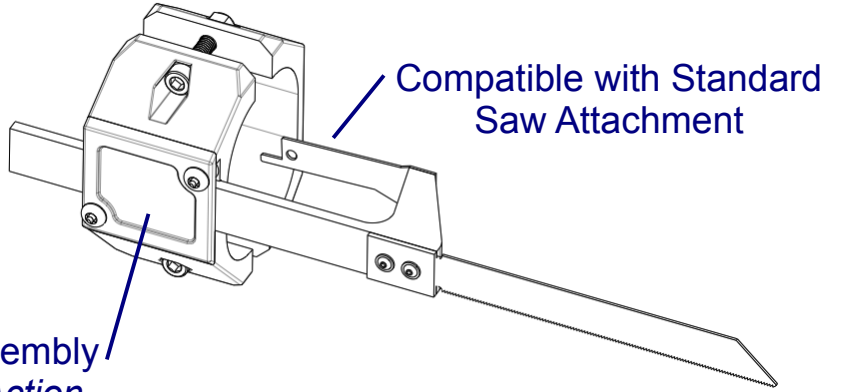
Flush cutting can wreak havoc on blades. This proprietary technology provides a durable solution to the problem.

OPTIONS

The technology can be implemented as an add-on accessory to existing lines or as a built-in feature for new products. Differentiate in a crowded market.



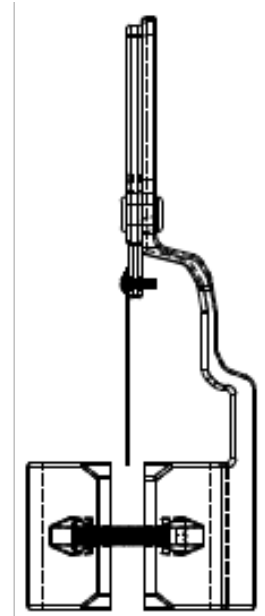
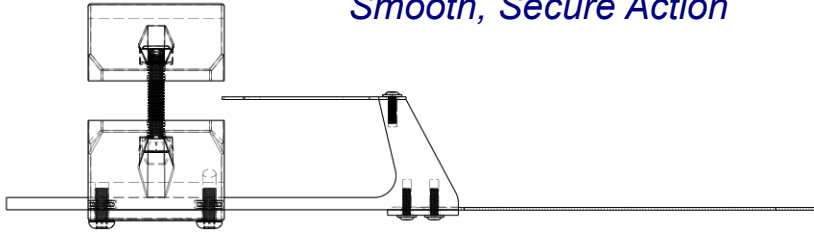
Compatible with Standard Blades



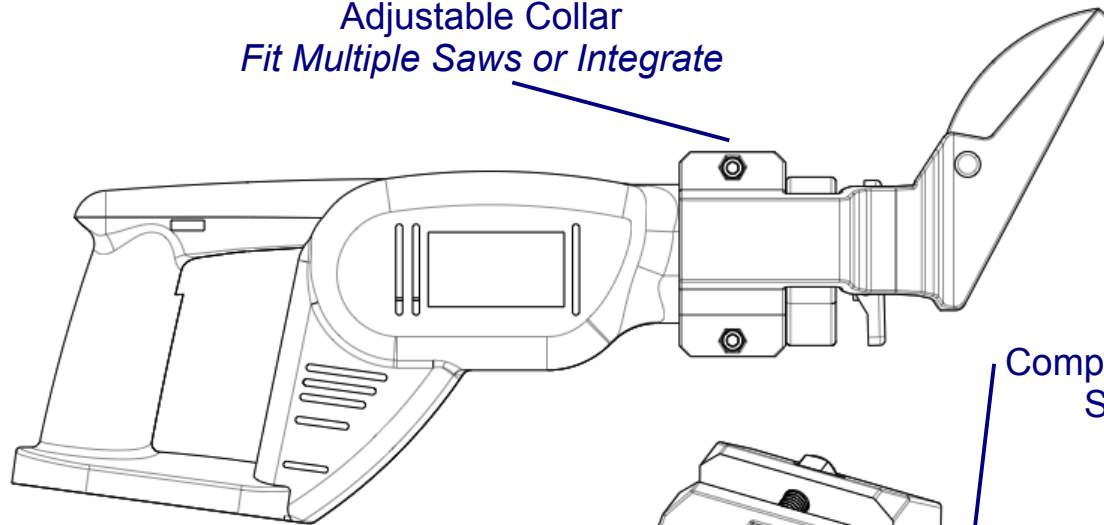
Compatible with Standard Saw Attachment

Adjustable Collar
Fit Multiple Saws or Integrate

Simple Bearing Assembly
Smooth, Secure Action

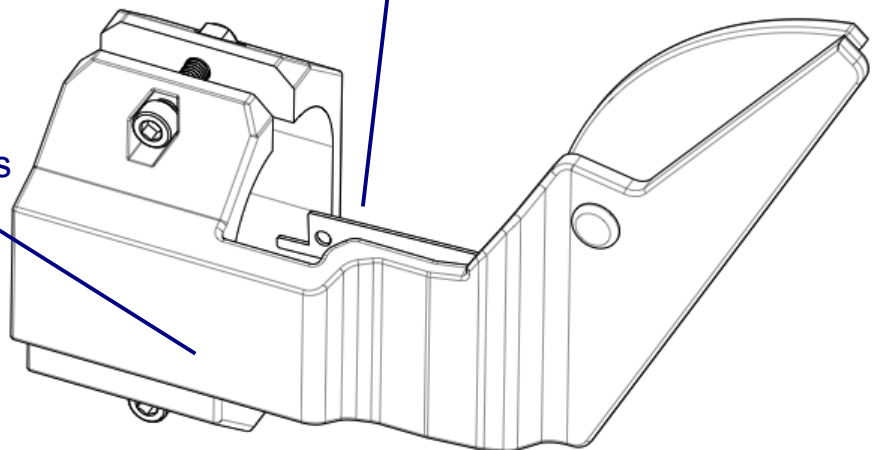


Adjustable Collar
Fit Multiple Saws or Integrate



Compatible with Standard Saw Attachment

Secure Collar
Attachment of Shears
Base Blade



Similar Products in Market



Paws-Off Flush Cut Adapter

Comments on Toolmonger.com:
“I could have used this at least a half-dozen times in the past year. It’s now on my Amazon wishlist.”

“Don’t waste your money. The idea is good, but it just doesn’t hold up ... I broke this in the first five minutes I used it. It does warn you, but it still broke way to easy in my opinion.”

<http://toolmonger.com/2007/06/27/flush-cut-with-a-recv-the-right-way/>



Dewart Saw with 4-Position Blade Clamp

Review on HomeDepot.com:

“Cut out floor joist's, nails and walls without any issues. Powerfull and fast! 4 position blade allowed me to cut flush against the floor.”

<http://www.homedepot.com/p/DEWALT-10-Amp-Reciprocating-Saw-DW304PK/100021472>

Review from Amazon for Dewart saw:

“People keep comparing this to a Milwaukee, IMO generally speaking Dewart tools are not as well made as Milwaukee, but you didn't pay a Milwaukee price for this saw either, y'all get what you pay for. Yes, I have a Milwaukee sawzall which I believe is better, but this Dewart does something the Milwaukee doesn't, the 4 blade positioning comes in extremely handy especially when needing to make flush floor cuts.”

<http://www.amazon.com/DEWALT-DW304PK-Amp-Reciprocating-Saw/dp/B0002AJNQ0>