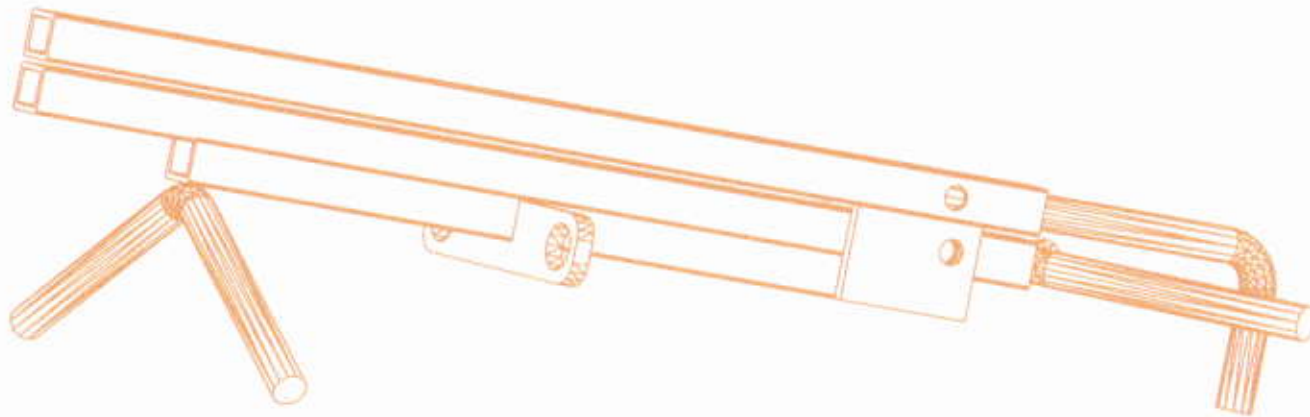
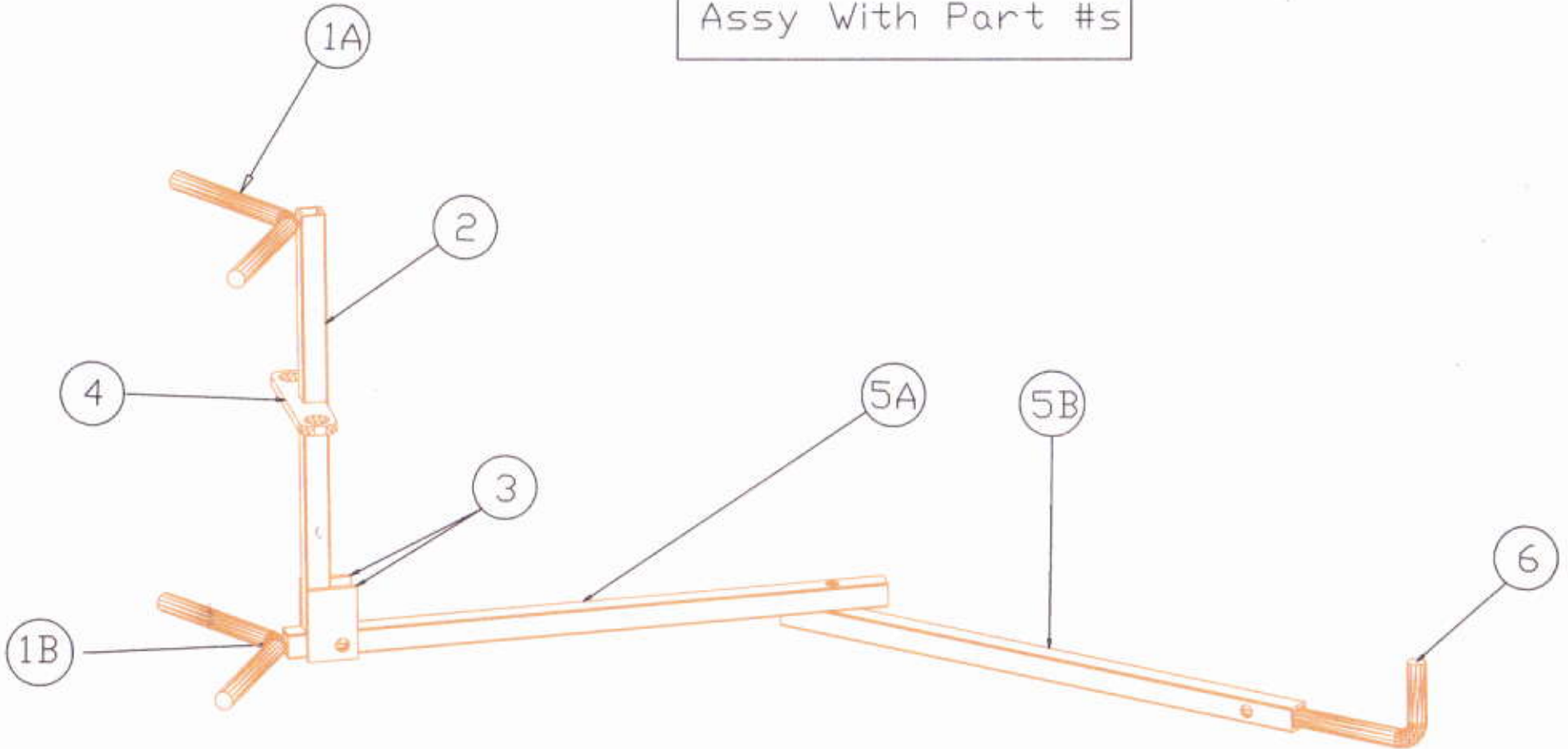


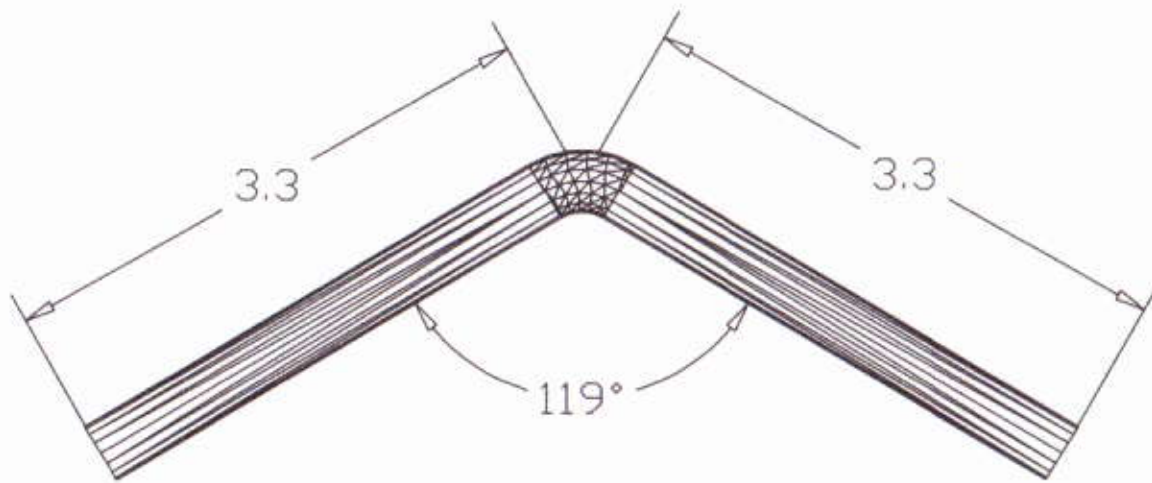
Collapsed Assy.



Assy With Part #s



Part# 1  
Tree Rest  
2 Pcs Required



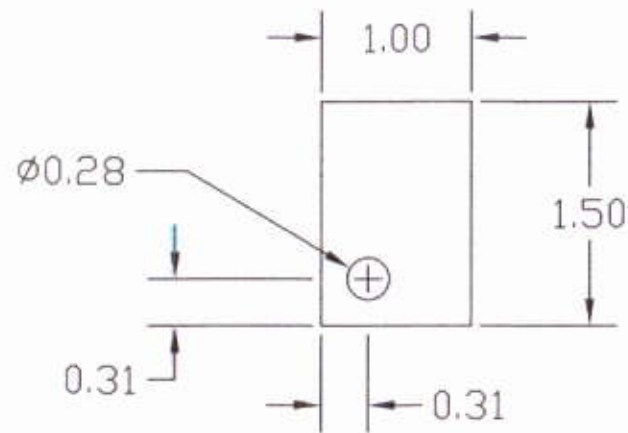
Material: 3/8 hr round X 6.5 Lg

Part# 2  
Upright Tube  
1 Pc Required



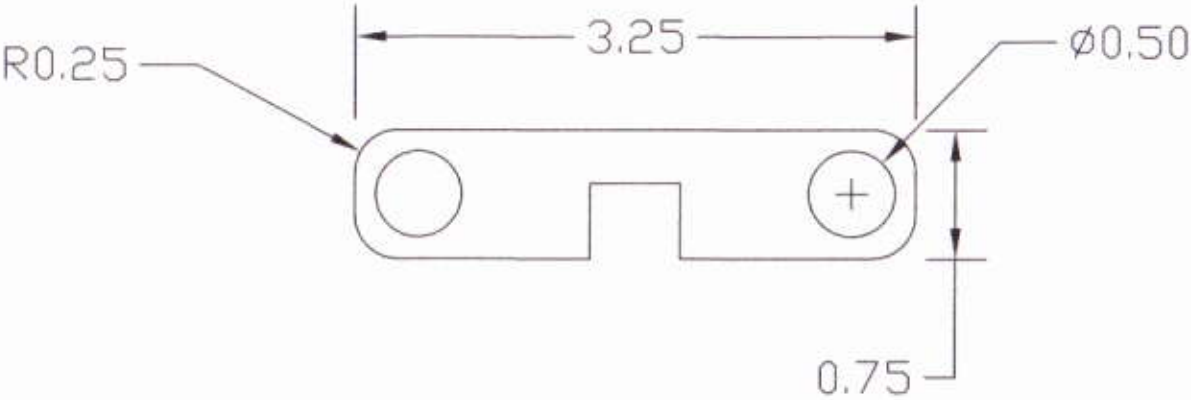
Material~  $\frac{1}{2}$  x  $\frac{1}{2}$  x 16ga steel tube x  $8 \frac{3}{4}$  long

Part# 3  
Swivel Bracket  
2 Pcs Required



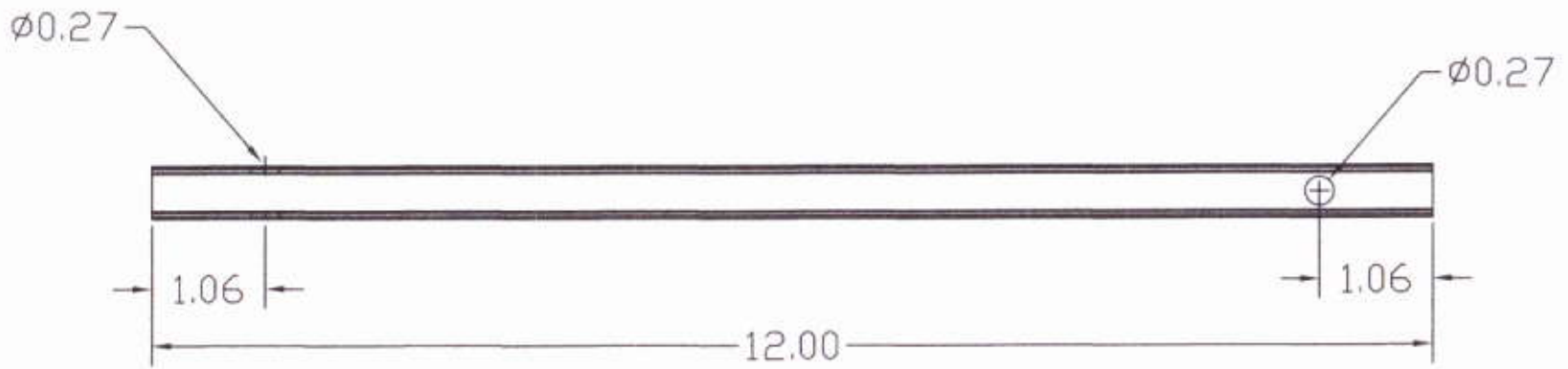
Material: .125 X 1 HRS X 1.50 LG

Part # 4  
Strap Bracket  
1 Pc Required



Material: 7ga HRS

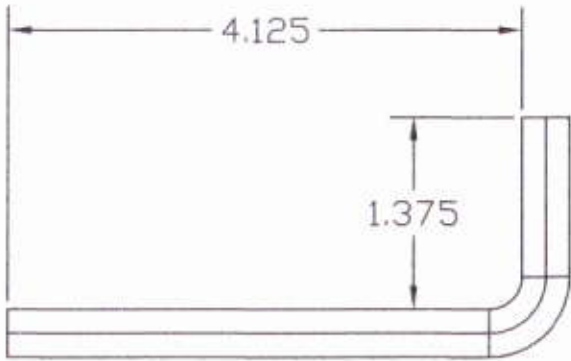
Part # 5  
Arm Tube  
2 Pcs Required



Material ~ 1/2 x 1/2 x 16ga square tube



Part # 6  
End Hook  
1 Pc Required



Material: 3/8 HR Round X 5.50 Lg