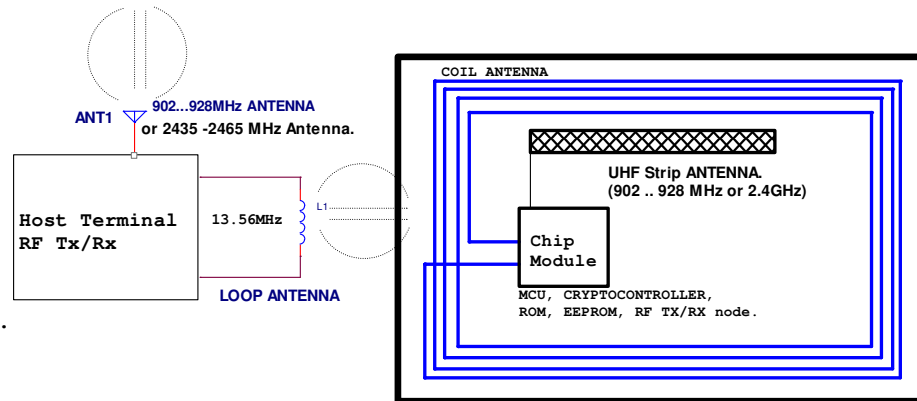


# BROADBAND CONTACTLESS SMART CARD SYSTEM.

Simplified functional diagrams of the system and the chip architecture are shown on the pictures below.

## CONTACTLESS SMART CARD WITH A SPREAD SPECTRUM DATA EXCHANGE.



**RF Power is transmitted at 13.56MHz.**  
**Data Transmission and Receiving either in 902...928 MHz or 2435-2465 MHz band.**

## INTEGRATED CIRCUIT (IC) CHIP ARCHITECTURE.

